

Koyo[®]

JHS Series Spherical Roller Bearings



JTEKT
JTEKT CORPORATION

JTEKT
Koyo | TOYODA



***Ultrahigh functionality bearings
for revolutionizing industrial
machinery and equipment.
This is the JHS Series.***

Aiming to ensure extremely high performance, we utilize advanced designs and processing technologies in the development of new materials.

Improved roller fatigue life. Superior toughness and corrosion resistance. Moreover, compared to other bearings, the JTEKT Hyper Strong (JHS) Series is a new-generation bearing providing unparalleled high capacity, abrasion resistance and high-speed performance.

JHS bearings support faster innovation, improvement and streamlining at manufacturing sites everywhere.





Hyper functionality worthy of the JHS Series name. New lineup of Spherical Roller Bearings

More compact, yet same capacity. Same size, but faster and longer service life. Additionally, the load on the cooling system has been reduced. We are also responding to a variety of needs such as improving quality and productivity onsite, streamlining and saving energy.



JHS Series Spherical Roller Bearings



JHS Series Spherical Roller Bearings are designed to satisfy the demanding needs of our customers. Manufactured using innovative materials, an optimal internal design and a standardized dimension stabilizing treatment, these bearings have a longer service life, faster rotation speed, enhanced axial load performance and can be used in high-temperature applications.

Innovative materials

Longer service life through cleaner bearing materials
Bearing service life increased by through careful selection and management of materials

Optimal internal design

① Dynamic load rating/static load rating increased through design optimization

JHS Series compared to existing products

Dynamic load rating

Max. 1.15 times
(compared to our existing products)

Static load rating

Max. 1.30 times
(compared to our existing products)

② Roller position stabilized

► Service life increased through improved lubrication ability

Rising bearing temperature suppressed through roller position stability

Bearing composition diagram

Outer ring

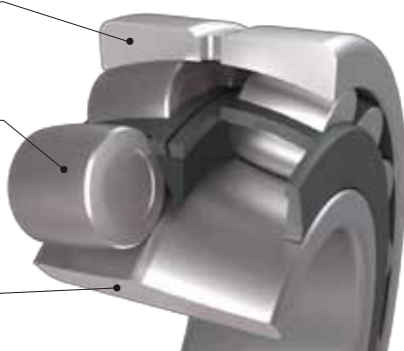
- JTEKT specification steel

Roller

- Roller maximized
- Number of rollers increased
- Roller position stabilized

Inner ring

- JTEKT specification steel



High-temperature applications supported

Standard for dimension stabilizing treatment introduced, realizing applicability in temperatures as high as 200°C and thereby enabling use in a wide variety of environments.

Longer service life

Max. 4 times

(compared to our existing products)

Speed increased

Permissible rotation speed

Max. 25%UP

(compared to our existing products)

Axial load performance

Max. 20%UP

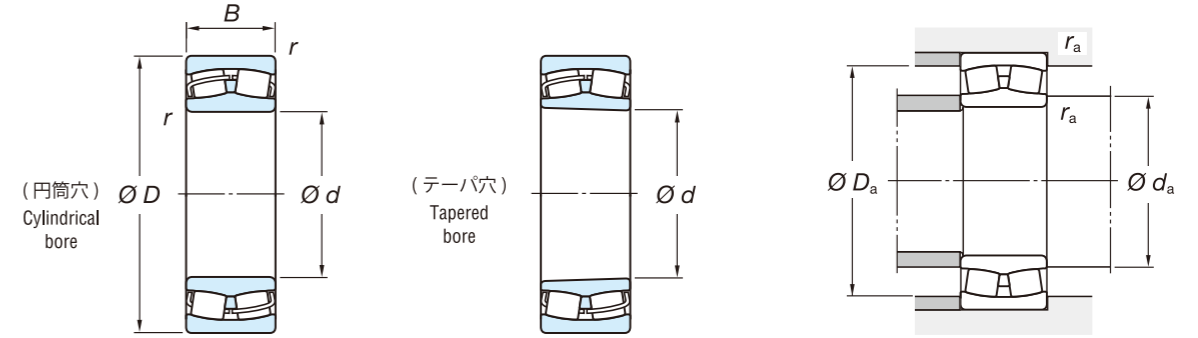
(compared to our existing products)

High-temp use

up to 200°C

JHS 自動調心ころ軸受の寸法表

Dimensions tables of JHS Series Spherical Roller Bearings



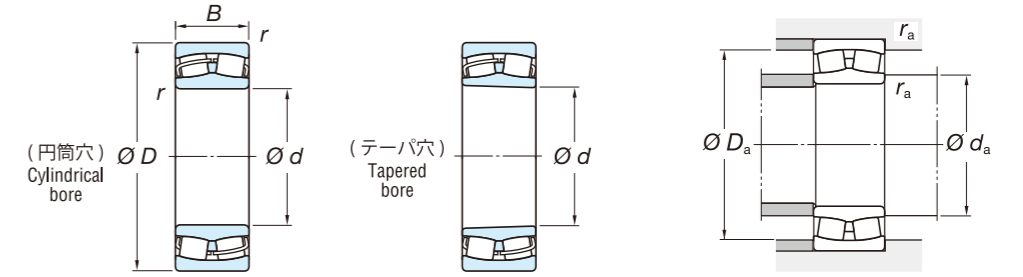
$\varnothing d25 \sim d95\text{mm}$

| 主要寸法 Boundary dimensions (mm) | | | | 基本定格荷重 Basic load ratings (kN) | | 疲労限荷重 Fatigue load limit (kN) | 許容回転速度 Limiting speeds (min ⁻¹) | | 呼び番号 Bearing no. | | 取付関係寸法 Mounting dimensions (mm) | | | | | 定数 Constant | アキシャル荷重係数 Axial load factors | | | (参考)質量 (Refer) Mass (kg) | |
|-------------------------------------|-----|------|---------------------|--------------------------------------|----------|--|---|------------------|---------------------|------------------|---------------------------------------|-----------------------|-----------------------|-----------------------|-----------------------|----------------|---------------------------------|-------|-------|--------------------------------|--------|
| d | D | B | r (最小) min. | C_r | C_{Or} | C_u | (グリース潤滑) | (油潤滑) | (円筒穴) | (テーパ穴) | d_a (最小) min. | d_a (最大) max. | D_a (最大) max. | D_a (最小) min. | r_a (最大) max. | e | Y_1 | Y_2 | Y_0 | (円筒穴) | (テーパ穴) |
| | | | Grease lub. | | | | Oil lub. | Cylindrical bore | Tapered bore | Cylindrical bore | | | | | | | | | | Tapered bore | |
| 25 | 52 | 18 | 1 | 56.8 | 48.1 | 3.90 | 9 600 | 12 800 | 22205RZ | 22205RZK | 31 | 31 | 46 | 46 | 1 | 0.35 | 1.91 | 2.85 | 1.87 | 0.188 | 0.184 |
| 30 | 62 | 20 | 1 | 76.5 | 65.9 | 5.30 | 8 100 | 10 900 | 22206RZ | 22206RZK | 36 | 36 | 56 | 56 | 1 | 0.33 | 2.04 | 3.04 | 2.00 | 0.296 | 0.29 |
| | 72 | 19 | 1.1 | 74.2 | 62.7 | 4.80 | 7 200 | 9 600 | 21306RZ | 21306RZK | 37 | 41 | 65 | 62 | 1 | 0.27 | 2.49 | 3.71 | 2.43 | 0.43 | 0.424 |
| 35 | 72 | 23 | 1.1 | 100 | 88.7 | 7.75 | 6 900 | 9 200 | 22207RZ | 22207RZK | 42 | 42 | 65 | 64 | 1 | 0.32 | 2.09 | 3.11 | 2.04 | 0.459 | 0.449 |
| | 80 | 21 | 1.5 | 87 | 75.8 | 5.90 | 6 200 | 8 300 | 21307RZ | 21307RZK | 44 | 46 | 71 | 69 | 1.5 | 0.27 | 2.49 | 3.71 | 2.43 | 0.572 | 0.564 |
| 40 | 80 | 23 | 1.1 | 114 | 102 | 9.55 | 6 200 | 8 300 | 22208RZ | 22208RZK | 47 | 49 | 73 | 73 | 1 | 0.28 | 2.37 | 3.53 | 2.32 | 0.602 | 0.591 |
| | 90 | 23 | 1.5 | 105 | 92.8 | 7.55 | 5 600 | 7 600 | 21308RZ | 21308RZK | 49 | 53 | 81 | 77 | 1.5 | 0.26 | 2.55 | 3.80 | 2.50 | 0.781 | 0.77 |
| | 90 | 33 | 1.5 | 170 | 152 | 11.8 | 5 600 | 7 600 | 22308RZ | 22308RZK | 49 | 51 | 81 | 79 | 1.5 | 0.37 | 1.83 | 2.72 | 1.79 | 1.08 | 1.06 |
| 45 | 85 | 23 | 1.1 | 120 | 110 | 10.2 | 5 800 | 7 700 | 22209RZ | 22209RZK | 52 | 53 | 78 | 78 | 1 | 0.26 | 2.55 | 3.80 | 2.50 | 0.602 | 0.59 |
| | 100 | 25 | 1.5 | 132 | 121 | 10.0 | 5 000 | 6 700 | 21309RZ | 21309RZK | 54 | 60 | 91 | 86 | 1.5 | 0.26 | 2.62 | 3.90 | 2.56 | 1.05 | 1.04 |
| | 100 | 36 | 1.5 | 208 | 183 | 13.8 | 5 100 | 6 700 | 22309RZ | 22309RZK | 54 | 55 | 91 | 87 | 1.5 | 0.37 | 1.83 | 2.72 | 1.79 | 1.42 | 1.39 |
| 50 | 90 | 23 | 1.1 | 128 | 122 | 12.7 | 5 400 | 7 200 | 22210RZ | 22210RZK | 57 | 58 | 83 | 83 | 1 | 0.24 | 2.79 | 4.15 | 2.73 | 0.648 | 0.634 |
| | 110 | 27 | 2 | 157 | 147 | 12.0 | 4 500 | 6 100 | 21310RZ | 21310RZK | 60 | 67 | 100 | 95 | 2 | 0.25 | 2.71 | 4.04 | 2.65 | 1.37 | 1.35 |
| | 110 | 40 | 2 | 255 | 237 | 17.5 | 4 500 | 6 200 | 22310RZ | 22310RZK | 60 | 62 | 100 | 96 | 2 | 0.36 | 1.85 | 2.76 | 1.81 | 1.92 | 1.88 |
| 55 | 100 | 25 | 1.5 | 155 | 144 | 15.0 | 4 700 | 6 300 | 22211RZ | 22211RZK | 64 | 64 | 91 | 91 | 1.5 | 0.24 | 2.84 | 4.23 | 2.78 | 0.867 | 0.849 |
| | 120 | 29 | 2 | 181 | 165 | 13.0 | 4 100 | 5 600 | 21311RZ | 21311RZK | 65 | 71 | 110 | 102 | 2 | 0.25 | 2.71 | 4.03 | 2.65 | 1.69 | 1.67 |
| | 120 | 43 | 2 | 295 | 264 | 21.1 | 4 100 | 5 500 | 22311RZ | 22311RZK | 65 | 66 | 110 | 104 | 2 | 0.36 | 1.85 | 2.76 | 1.81 | 2.4 | 2.35 |
| 60 | 110 | 28 | 1.5 | 191 | 181 | 18.7 | 4 300 | 5 800 | 22212RZ | 22212RZK | 69 | 70 | 101 | 100 | 1.5 | 0.25 | 2.74 | 4.08 | 2.68 | 1.19 | 1.17 |
| | 130 | 31 | 2.1 | 210 | 193 | 15.1 | 3 900 | 5 100 | 21312RZ | 21312RZK | 72 | 77 | 118 | 110 | 2 | 0.24 | 2.78 | 4.14 | 2.72 | 2.11 | 2.08 |
| | 130 | 46 | 2.1 | 354 | 334 | 24.9 | 3 900 | 5 100 | 22312RZ | 22312RZK | 72 | 73 | 118 | 113 | 2 | 0.36 | 1.86 | 2.77 | 1.82 | 3.06 | 2.99 |
| 65 | 120 | 31 | 1.5 | 223 | 211 | 20.7 | 4 000 | 5 200 | 22213RZ | 22213RZK | 74 | 76 | 111 | 109 | 1.5 | 0.25 | 2.69 | 4.00 | 2.63 | 1.55 | 1.52 |
| | 140 | 33 | 2.1 | 242 | 232 | 19.8 | 3 600 | 4 700 | 21313RZ | 21313RZK | 77 | 85 | 128 | 119 | 2 | 0.24 | 2.83 | 4.21 | 2.76 | 2.62 | 2.58 |
| | 140 | 48 | 2.1 | 382 | 360 | 30.8 | 3 600 | 4 700 | 22313RZ | 22313RZK | 77 | 79 | 128 | 122 | 2 | 0.34 | 1.98 | 2.94 | 1.93 | 3.66 | 3.58 |
| 70 | 125 | 31 | 1.5 | 233 | 222 | 24.4 | 3 700 | 5 000 | 22214RZ | 22214RZK | 79 | 80 | 116 | 114 | 1.5 | 0.24 | 2.87 | 4.27 | 2.80 | 1.64 | 1.61 |
| | 150 | 35 | 2.1 | 269 | 260 | 21.6 | 3 300 | 4 400 | 21314RZ | 21314RZK | 82 | 91 | 138 | 127 | 2 | 0.24 | 2.84 | 4.23 | 2.78 | 3.19 | 3.15 |
| | 150 | 51 | 2.1 | 434 | 413 | 35.0 | 3 300 | 4 400 | 22314RZ | 22314RZK | 82 | 85 | 138 | 131 | 2 | 0.34 | 1.98 | 2.94 | 1.93 | 4.45 | 4.36 |
| 75 | 130 | 31 | 1.5 | 241 | 236 | 28.2 | 3 600 | 4 700 | 22215RZ | 22215RZK | 84 | 85 | 121 | 119 | 1.5 | 0.22 | 3.07 | 4.57 | 3.00 | 1.73 | 1.69 |
| | 160 | 37 | 2.1 | 307 | 298 | 24.3 | 3 000 | 4 100 | 21315RZ | 21315RZK | 87 | 98 | 148 | 138 | 2 | 0.24 | 2.87 | 4.27 | 2.80 | 3.81 | 3.76 |
| | 160 | 55 | 2.1 | 492 | 473 | 38.4 | 3 000 | 4 100 | 22315RZ | 22315RZK | 87 | 91 | 148 | 140 | 2 | 0.35 | 1.95 | 2.90 | 1.91 | 5.45 | 5.33 |
| 80 | 140 | 33 | 2 | 271 | 271 | 30.5 | 3 300 | 4 400 | 22216RZ | 22216RZK | 90 | 92 | 130 | 128 | 2 | 0.22 | 3.07 | 4.57 | 3.00 | 2.17 | 2.13 |
| | 140 | 44.4 | 2 | 305 | 342 | 31.2 | 3 300 | 4 400 | 23216RZ | 23216RZK | 90 | 93 | 130 | 124 | 2 | 0.29 | 2.35 | 3.50 | 2.30 | 2.95 | 2.86 |
| | 170 | 39 | 2.1 | 344 | 339 | 27.5 | 2 900 | 3 900 | 21316RZ | 21316RZK | 92 | 104 | 158 | 146 | 2 | 0.23 | 2.88 | 4.29 | 2.82 | 4.53 | 4.47 |
| | 170 | 58 | 2.1 | 539 | 521 | 41.7 | 2 900 | 3 900 | 22316RZ | 22316RZK | 92 | 97 | 158 | 148 | 2 | 0.35 | 1.95 | 2.90 | 1.91 | 6.44 | 6.3 |
| 85 | 150 | 36 | 2 | 322 | 324 | 35.7 | 3 000 | 4 100 | 22217RZ | 22217RZK | 95 | 97 | 140 | 137 | 2 | 0.22 | 3.01 | 4.48 | 2.94 | 2.75 | 2.69 |
| | 150 | 49.2 | 2 | 358 | 410 | 36.2 | 3 000 | 4 100 | 23217RZ | 23217RZK | 95 | 99 | 140 | 134 | 2 | 0.30 | 2.25 | 3.34 | 2.20 | 3.78 | 3.67 |
| | 180 | 41 | 3 | 375 | 372 | 29.6 | 2 800 | 3 600 | 21317RZ | 21317RZK | 99 | 109 | 166 | 154 | 2.5 | 0.23 | 2.89 | 4.33 | 2.83 | 5.32 | 5.25 |
| | 180 | 60 | 3 | 601 | 586 | 47.8 | 2 800 | 3 600 | 22317RZ | 22317RZK | 99 | 103 | 166 | 157 | 2.5 | 0.33 | 2.02 | 3.00 | 1.97 | 7.47 | 7.31 |
| 90 | 160 | 40 | 2 | 373 | 381 | 39.2 | 2 900 | 3 900 | 22218RZ | 22218RZK | 100 | 104 | 150 | 145 | 2 | 0.24 | 2.79 | 4.15 | 2.73 | 3.5 | 3.43 |
| | 160 | 52.4 | 2 | 420 | 482 | 42.9 | 2 900 | 3 900 | 23218RZ | 23218RZK | 100 | 103 | 150 | 141 | 2 | 0.32 | 2.14 | 3.19 | 2.09 | 4.63 | 4.5 |
| | 190 | 43 | 3 | 413 | 416 | 32.9 | 2 600 | 3 400 | 21318RZ | 21318RZK | 104 | 116 | 176 | 162 | 2.5 | 0.23 | 2.91 | 4.30 | 2.84 | 6.2 | 6.11 |
| | 190 | 64 | 3 | 672 | 662 | 50.5 | 2 600 | 3 400 | 22318RZ | 22318RZK | 104 | 108 | 176 | 166 | 2.5 | 0.34 | 2.00 | 2.98 | 1.96 | 8.82 | 8.63 |
| 95 | 170 | 43 | 2.1 | 418 | 422 | 42.7 | 2 800 | 3 600 | 22219RZ | 22219RZK | 107 | 109 | 158 | 154 | 2 | 0.24 | 2.76 | 4.11 | 2.70 | 4.24 | 4.15 |
| | 170 | 55.6 | 2.1 | 457 | 516 | 43.9 | 2 800 | 3 600 | 23219RZ | 23219RZK | 107 | 110 | 158 | 150 | 2 | 0.30 | 2.25 | 3.34 | 2.20 | 5.5 | 5.35 |
| | 200 | 45 | 3 | 453 | 461 | 36.3 | 2 500 | 3 200 | 21319RZ | 21319RZK | 109 | 123 | 186 | 171 | 2.5 | 0.23 | 2.92 | 4.35 | 2.86 | 7.16 | 7.06 |
| | 200 | 67 | 3 | 733 | 726 | 55.6 | 2 500 | 3 200 | 22319RZ | 22319RZK | 109 | 114 | 186 | 174 | 2.5 | 0.33 | 2.02 | 3.00 | 1.97 | 10.2 | 9.98 |

JHS 自動調心ころ軸受の寸法表

Dimensions tables of JHS Series Spherical Roller Bearings

ød100~d180mm



| 主要寸法 Boundary dimensions (mm) | | | | 基本定格荷重 Basic load ratings (kN) | | 疲労限荷重 Fatigue load limit (kN) | 許容回転速度 Limiting speeds (min ⁻¹) | | 呼び番号 Bearing no. | | 取付関係寸法 Mounting dimensions (mm) | | | | | 定数 Constant | アキシャル荷重係数 Axial load factors | | | (参考)質量 (Refer) Mass (kg) | |
|-------------------------------------|-----|------|-------------------|--------------------------------------|-------|--|---|-------------------|---------------------------|------------------------|---------------------------------------|--------------|---------------------------|------------------------|------|----------------|---------------------------------|------|------|--------------------------------|------------------------|
| d | D | B | r (最小) min. | Cr | Cor | Cu | (グリース潤滑) Grease lub. | (油潤滑) Oil lub. | (円筒穴) Cylindrical bore | (テーパ穴) Tapered bore | da | | Da | | ra | e | Y1 | Y2 | Y0 | (円筒穴) Cylindrical bore | (テーパ穴) Tapered bore |
| | | | | | | | | (最小) min. | (最大) max. | (最大) max. | (最小) min. | (最大) max. | (円筒穴) Cylindrical bore | (テーパ穴) Tapered bore | | | | | | | |
| 100 | 150 | 37 | 1.5 | 262 | 332 | 33.7 | 2 900 | 3 900 | 23020RZ | 23020RZK | 109 | 110 | 141 | 138 | 1.5 | 0.22 | 3.01 | 4.48 | 2.94 | 2.34 | 2.27 |
| | 165 | 52 | 2 | 412 | 510 | 48.5 | 2 800 | 3 600 | 23120RZ | 23120RZK | 110 | 114 | 155 | 147 | 2 | 0.29 | 2.33 | 3.47 | 2.28 | 4.52 | 4.38 |
| | 180 | 46 | 2.1 | 470 | 481 | 47.6 | 2 600 | 3 400 | 22220RZ | 22220RZK | 112 | 115 | 168 | 163 | 2 | 0.25 | 2.74 | 4.08 | 2.68 | 5.11 | 5 |
| | 180 | 60.3 | 2.1 | 533 | 629 | 53.5 | 2 600 | 3 400 | 23220RZ | 23220RZK | 112 | 116 | 168 | 157 | 2 | 0.32 | 2.09 | 3.11 | 2.04 | 6.85 | 6.66 |
| | 215 | 47 | 3 | 519 | 524 | 40.2 | 2 200 | 3 000 | 21320RZ | 21320RZK | 114 | 131 | 201 | 184 | 2.5 | 0.22 | 3.02 | 4.49 | 2.95 | 8.79 | 8.68 |
| | 215 | 73 | 3 | 875 | 877 | 63.9 | 2 200 | 3 000 | 22320RZ | 22320RZK | 114 | 121 | 201 | 187 | 2.5 | 0.35 | 1.95 | 2.90 | 1.91 | 13.2 | 12.9 |
| 110 | 170 | 45 | 2 | 377 | 486 | 48.4 | 2 600 | 3 400 | 23022RZ | 23022RZK | 120 | 123 | 160 | 156 | 2 | 0.24 | 2.84 | 4.23 | 2.78 | 3.85 | 3.74 |
| | 170 | 60 | 2 | 472 | 647 | 58.6 | 2 600 | 3 600 | 24022RZ | 24022RZK | 120 | 120 | 160 | 151 | 2 | 0.32 | 2.08 | 3.10 | 2.04 | 5.07 | 4.99 |
| | 180 | 56 | 2 | 481 | 605 | 53.7 | 2 500 | 3 300 | 23122RZ | 23122RZK | 120 | 125 | 170 | 161 | 2 | 0.29 | 2.36 | 3.51 | 2.31 | 5.72 | 5.54 |
| | 180 | 69 | 2 | 566 | 778 | 63.4 | 2 500 | 3 300 | 24122RZ | 24122RZK | 120 | 120 | 170 | 154 | 2 | 0.37 | 1.84 | 2.74 | 1.80 | 6.98 | 6.87 |
| | 200 | 53 | 2.1 | 613 | 642 | 58.7 | 2 300 | 3 000 | 22222RZ | 22222RZK | 122 | 127 | 188 | 180 | 2 | 0.26 | 2.64 | 3.93 | 2.58 | 7.37 | 7.21 |
| | 200 | 69.8 | 2.1 | 672 | 792 | 65.4 | 2 300 | 3 000 | 23222RZ | 23222RZK | 122 | 127 | 188 | 173 | 2 | 0.34 | 1.99 | 2.96 | 1.94 | 9.76 | 9.48 |
| | 240 | 50 | 3 | 604 | 616 | 46.0 | 1 900 | 2 600 | 21322RZ | 21322RZK | 124 | 147 | 226 | 205 | 2.5 | 0.21 | 3.19 | 4.75 | 3.12 | 11.8 | 11.7 |
| 240 | 80 | 3 | 1 040 | 1 040 | 77.7 | 1 900 | 2 600 | 22322RZ | 22322RZK | 124 | 136 | 226 | 208 | 2.5 | 0.33 | 2.03 | 3.02 | 1.98 | 18.1 | 17.7 | |
| 120 | 180 | 46 | 2 | 392 | 524 | 51.6 | 2 300 | 3 200 | 23024RZ | 23024RZK | 130 | 132 | 170 | 165 | 2 | 0.23 | 2.95 | 4.40 | 2.89 | 4.2 | 4.07 |
| | 180 | 60 | 2 | 482 | 709 | 61.8 | 2 300 | 3 200 | 24024RZ | 24024RZK | 130 | 130 | 170 | 160 | 2 | 0.30 | 2.23 | 3.32 | 2.18 | 5.43 | 5.34 |
| | 200 | 62 | 2 | 568 | 714 | 61.2 | 2 200 | 3 000 | 23124RZ | 23124RZK | 130 | 137 | 190 | 176 | 2 | 0.29 | 2.34 | 3.49 | 2.29 | 7.98 | 7.74 |
| | 200 | 80 | 2 | 730 | 1 020 | 78.6 | 2 200 | 3 000 | 24124RZ | 24124RZK | 130 | 133 | 190 | 172 | 2 | 0.38 | 1.75 | 2.61 | 1.72 | 10.2 | 10 |
| | 215 | 58 | 2.1 | 707 | 764 | 67.2 | 2 100 | 2 800 | 22224RZ | 22224RZK | 132 | 138 | 203 | 193 | 2 | 0.26 | 2.60 | 3.87 | 2.54 | 9.31 | 9.1 |
| | 215 | 76 | 2.1 | 771 | 956 | 78.9 | 2 100 | 2 900 | 23224RZ | 23224RZK | 132 | 139 | 203 | 185 | 2 | 0.34 | 1.97 | 2.94 | 1.93 | 12.2 | 11.8 |
| | 260 | 86 | 3 | 1 120 | 1 130 | 87.2 | 1 800 | 2 500 | 22324RZ | 22324RZK | 134 | 149 | 246 | 228 | 2.5 | 0.33 | 2.03 | 3.02 | 1.98 | 22.8 | 22.3 |
| 130 | 200 | 52 | 2 | 506 | 674 | 63.6 | 2 200 | 2 900 | 23026RZ | 23026RZK | 140 | 145 | 190 | 182 | 2 | 0.24 | 2.87 | 4.27 | 2.80 | 6.15 | 5.97 |
| | 200 | 69 | 2 | 621 | 914 | 77.3 | 2 200 | 2 900 | 24026RZ | 24026RZK | 140 | 143 | 190 | 177 | 2 | 0.32 | 2.14 | 3.18 | 2.09 | 8.03 | 7.9 |
| | 210 | 64 | 2 | 618 | 799 | 68.4 | 2 100 | 2 800 | 23126RZ | 23126RZK | 140 | 147 | 200 | 187 | 2 | 0.28 | 2.42 | 3.61 | 2.37 | 8.71 | 8.44 |
| | 210 | 80 | 2 | 750 | 1 080 | 91.8 | 2 100 | 2 800 | 24126RZ | 24126RZK | 140 | 145 | 200 | 184 | 2 | 0.36 | 1.90 | 2.83 | 1.86 | 10.8 | 10.6 |
| | 230 | 64 | 3 | 822 | 914 | 74.4 | 1 900 | 2 600 | 22226RZ | 22226RZK | 144 | 148 | 216 | 206 | 2.5 | 0.26 | 2.55 | 3.80 | 2.50 | 11.6 | 11.3 |
| | 230 | 80 | 3 | 878 | 1 090 | 89.4 | 1 900 | 2 600 | 23226RZ | 23226RZK | 144 | 151 | 216 | 201 | 2.5 | 0.33 | 2.05 | 3.05 | 2.00 | 14.4 | 14 |
| | 280 | 93 | 4 | 1 310 | 1 340 | 98.6 | 1 700 | 2 200 | 22326RZ | 22326RZK | 148 | 160 | 262 | 245 | 3 | 0.33 | 2.03 | 3.02 | 1.98 | 28.5 | 27.9 |
| 140 | 210 | 53 | 2 | 527 | 723 | 67.9 | 2 100 | 2 800 | 23028RZ | 23028RZK | 150 | 155 | 200 | 192 | 2 | 0.23 | 2.98 | 4.44 | 2.92 | 6.62 | 6.42 |
| | 210 | 69 | 2 | 636 | 957 | 81.7 | 2 100 | 2 800 | 24028RZ | 24028RZK | 150 | 153 | 200 | 188 | 2 | 0.30 | 2.28 | 3.39 | 2.23 | 8.49 | 8.35 |
| | 225 | 68 | 2.1 | 706 | 940 | 79.6 | 1 900 | 2 600 | 23128RZ | 23128RZK | 152 | 158 | 213 | 201 | 2 | 0.28 | 2.45 | 3.65 | 2.40 | 10.6 | 10.3 |
| | 225 | 85 | 2.1 | 849 | 1 220 | 90.7 | 1 900 | 2 600 | 24128RZ | 24128RZK | 152 | 153 | 213 | 194 | 2 | 0.36 | 1.89 | 2.82 | 1.85 | 13.1 | 12.9 |
| | 250 | 68 | 3 | 948 | 1 030 | 85.2 | 1 800 | 2 300 | 22228RZ | 22228RZK | 154 | 158 | 236 | 224 | 2.5 | 0.26 | 2.60 | 3.87 | 2.54 | 14.5 | 14.2 |
| | 250 | 88 | 3 | 1 010 | 1 290 | 103 | 1 800 | 2 300 | 23228RZ | 23228RZK | 154 | 161 | 236 | 214 | 2.5 | 0.34 | 1.99 | 2.96 | 1.95 | 19 | 18.4 |
| 150 | 225 | 56 | 2.1 | 576 | 797 | 76.3 | 1 900 | 2 500 | 23030RZ | 23030RZK | 162 | 166 | 213 | 205 | 2 | 0.22 | 3.04 | 4.53 | 2.97 | 8.01 | 7.77 |
| | 225 | 75 | 2.1 | 720 | 1 100 | 90.3 | 1 900 | 2 500 | 24030RZ | 24030RZK | 162 | 163 | 213 | 199 | 2 | 0.30 | 2.23 | 3.32 | 2.18 | 10.6 | 10.4 |
| | 250 | 80 | 2.1 | 897 | 1 230 | 102 | 1 800 | 2 300 | 23130RZ | 23130RZK | 162 | 171 | 238 | 216 | 2 | 0.30 | 2.24 | 3.34 | 2.19 | 16.4 | 15.9 |
| | 250 | 100 | 2.1 | 1 100 | 1 590 | 116 | 1 800 | 2 300 | 24130RZ | 24130RZK | 162 | 166 | 238 | 213 | 2 | 0.38 | 1.77 | 2.64 | 1.73 | 19.9 | 19.6 |
| | 270 | 73 | 3 | 1 080 | 1 200 | 102 | 1 700 | 2 200 | 22230RZ | 22230RZK | 164 | 172 | 256 | 243 | 2.5 | 0.25 | 2.69 | 4.00 | 2.63 | 18.9 | 18.5 |
| | 270 | 96 | 3 | 1 200 | 1 540 | 121 | 1 700 | 2 200 | 23230RZ | 23230RZK | 164 | 173 | 256 | 230 | 2.5 | 0.34 | 1.96 | 2.93 | 1.92 | 24.5 | 23.8 |
| 160 | 240 | 60 | 2.1 | 663 | 924 | 86.0 | 1 800 | 2 300 | 23032RZ | 23032RZK | 172 | 177 | 228 | 219 | 2 | 0.22 | 3.01 | 4.48 | 2.94 | 9.74 | 9.44 |
| | 240 | 80 | 2.1 | 825 | 1 270 | 103 | 1 800 | 2 300 | 24032RZ | 24032RZK | 172 | 175 | 228 | 215 | 2 | 0.30 | 2.24 | 3.34 | 2.19 | 12.9 | 12.7 |
| | 270 | 86 | 2.1 | 1 060 | 1 430 | 117 | 1 700 | 2 200 | 23132RZ | 23132RZK | 172 | 182 | 258 | 234 | 2 | 0.30 | 2.22 | 3.30 | 2.17 | 20.8 | 20.2 |
| 170 | 260 | 67 | 2.1 | 790 | 1 090 | 97.9 | 1 700 | 2 200 | 23034RZ | 23034RZK | 182 | 189 | 248 | 236 | 2 | 0.23 | 2.90 | 4.31 | 2.83 | 13.2 | 12.8 |
| | 260 | 90 | 2.1 | 1 000 | 1 540 | 120 | 1 700 | 2 200 | 24034RZ | 24034RZK | 182 | 184 | 248 | 227 | 2 | 0.32 | 2.11 | 3.15 | 2.07 | 17.5 | 17.2 |
| | 280 | 88 | 2.1 | 1 150 | 1 550 | 124 | 1 500 | 2 100 | 23134RZ | 23134RZK | 182 | 194 | 268 | 249 | 2 | 0.29 | 2.30 | 3.43 | 2.25 | 21.9 | 21.2 |
| 180 | 280 | 74 | 2.1 | 960 | 1 330 | 118 | 1 500 | 1 900 | 23036RZ | 23036RZK | 192 | 202 | 268 | 253 | 2 | 0.24 | 2.84 | 4.23 | 2.78 | 17.4 | 16.9 |

OFFICES

KOYO CANADA INC.

5324 South Service Road, Burlington, Ontario L7L 5H5, CANADA
TEL : 1-905-681-1121
FAX : 1-905-681-1392

JTEKT NORTH AMERICA CORPORATION

-Main Office-

47771 Halyard Drive, Plymouth, MI 48170, U.S.A.
TEL : 1-734-454-1500
FAX : 1-734-454-7059

-Cleveland Office-

29570 Clemens Road, P.O.Box 45028, Westlake,
OH 44145, U.S.A.
TEL : 1-440-835-1000
FAX : 1-440-835-9347

KOYO MEXICANA, S.A. DE C.V.

Av. Insurgentes Sur 2376-505, Col. Chimalistac, Del. Álvaro
Obregón, C.P. 01070, México, D.F.
TEL : 52-55-5207-3860
FAX : 52-55-5207-3873

KOYO LATIN AMERICA, S.A.

Edificio Banco del Pacifico Planta Baja, Calle Aquilino de la
Guardia y Calle 52, Panama, REPUBLICA DE PANAMA
TEL : 507-208-5900
FAX : 507-264-2782/507-269-7578

KOYO ROLAMENTOS DO BRASIL LTDA.

Avenida Reboucas, 2472 Jardim America, CEP 05402-300 São
Paulo, BRAZIL
TEL : 55-11-3372-7500
FAX : 55-11-3887-3039

KOYO MIDDLE EAST FZCO

6EA 601, Dubai Airport Free Zone, P.O. Box 54816, Dubai,
U.A.E.
TEL : 97-1-4299-3600
FAX : 97-1-4299-3700

KOYO BEARINGS INDIA PVT. LTD.

C/o Stylus Commercial Services PVT LTD, Ground Floor, The
Beech, E-1, Manyata Embassy Business Park, Outer Ring Road,
Bengaluru-560045, INDIA
TEL : 91-80-4276-4567 (Reception Desk of Service Office)
FAX : 91-80-4276-4568

JTEKT (THAILAND) CO., LTD.

172/1 Moo 12 Tambol Bangwua, Amphur Bangpakong,
Chachoengsao 24180, THAILAND
TEL : 66-38-533-310~7
FAX : 66-38-532-776

PT. JTEKT INDONESIA

Jl. Surya Madya Plot I-27b, Kawasan Industri Surya Cipta,
Kutanegara, Ciampel, Karawang Jawa Barat, 41363 Indonesia
TEL : 62-267-8610-270
FAX : 62-267-8610-271

KOYO SINGAPORE BEARING (PTE.) LTD.

27, Penjuru Lane, Level 5, Phase 1 Warehouse #05-01.
SINGAPORE 609195
TEL : 65-6274-2200
FAX : 65-6862-1623

PHILIPPINE KOYO BEARING CORPORATION

6th Floor, One World Square Building, #10 Upper McKinley
Road, McKinley Town Center Fort Bonifacio, 1634 Taguig City,
PHILIPPINES
TEL : 63-2-856-5046/5047
FAX : 63-2-856-5045

JTEKT KOREA CO., LTD.

Seong-do Bldg 13F, 207, Dosan-Dearo, Gangnam-Gu, Seoul,
KOREA
TEL : 82-2-549-7922
FAX : 82-2-549-7923

JTEKT (CHINA) CO., LTD.

Room.25A2, V-CAPITAL Building, 333 Xianxia Road, Changning
District, Shanghai 200336, CHINA
TEL : 86-21-5178-1000
FAX : 86-21-5178-1008

KOYO AUSTRALIA PTY. LTD.

Unit 2, 8 Hill Road, Homebush Bay, NSW 2127, AUSTRALIA
TEL : 61-2-8719-5300
FAX : 61-2-8719-5333

JTEKT EUROPE BEARINGS B.V.

Markerkant 13-01, 1314 AL Almere, THE NETHERLANDS
TEL : 31-36-5383333
FAX : 31-36-5347212

-Benelux Branch Office-

Energieweg 10a, 2964 LE, Groot-Ammers, THE NETHERLANDS
TEL : 31-184606800
FAX : 31-184606857

KOYO KULLAGER SCANDINAVIA A.B.

Johanneslundsvägen 4, 194 61 Upplands Väsby, SWEDEN
TEL : 46-8-594-212-10
FAX : 46-8-594-212-29

KOYO (U.K.) LIMITED

Whitehall Avenue, Kingston, Milton Keynes MK10 0AX,
UNITED KINGDOM
TEL : 44-1908-289300
FAX : 44-1908-289333

KOYO DEUTSCHLAND GMBH

Bargkoppelweg 4, D-22145 Hamburg, GERMANY
TEL : 49-40-67-9090-0
FAX : 49-40-67-9203-0

KOYO FRANCE S.A.

6 avenue du Marais, BP20189, 95105 Argenteuil, FRANCE
TEL : 33-1-3998-4202
FAX : 33-1-3998-4244/4249

KOYO IBERICA, S.L.

Avda.de la Industria, 52-2 izda 28820 Coslada Madrid, SPAIN
TEL : 34-91-329-0818
FAX : 34-91-747-1194

KOYO ITALIA S.R.L.

Via Stephenson 43/a 20157 Milano, ITALY
TEL : 39-02-2951-0844
FAX : 39-02-2951-0954

-Romanian Representative Office-

24, Lister Street, ap. 1, sector 5, Bucharest, ROMANIA
TEL : 40-21-410-4182
FAX : 40-21-410-1178

PUBLISHER

JTEKT CORPORATION NAGOYA HEAD OFFICE

No.7-1, Meieki 4-chome, Nakamura-ku, Nagoya, Aichi 450-8515, JAPAN TEL:81-52-527-1900 FAX:81-52-527-1911

JTEKT CORPORATION OSAKA HEAD OFFICE

No.5-8, Minamisemba 3-chome, Chuo-ku, Osaka 542-8502, JAPAN TEL:81-6-6271-8451 FAX:81-6-6245-3712

Sales & Marketing Headquarters

No.5-8, Minamisemba 3-chome, Chuo-ku, Osaka 542-8502, JAPAN TEL:81-6-6245-6087 FAX:81-6-6244-9007

Value & Technology

